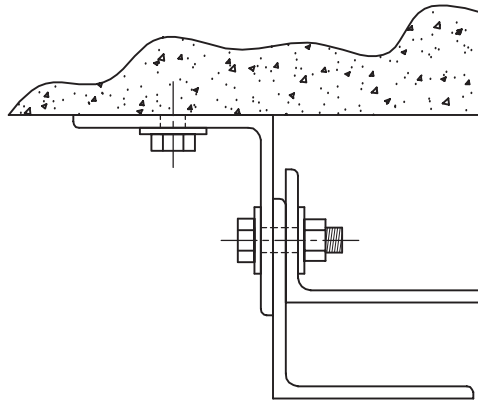


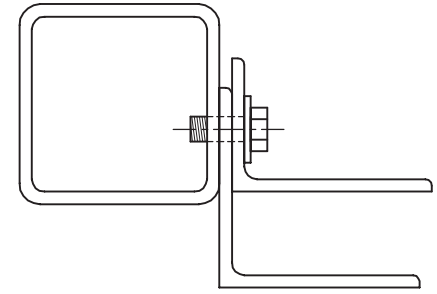
FACE OF WALL
E-MOUNT TO STEEL

CODE EST



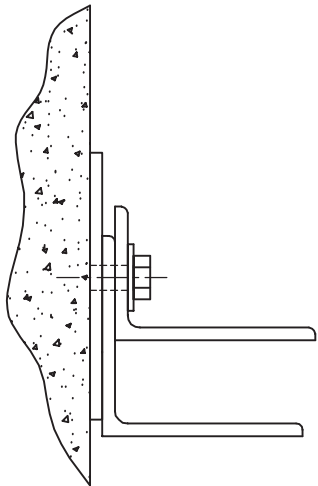
FACE OF WALL
Z-MOUNT

CODE ZMA



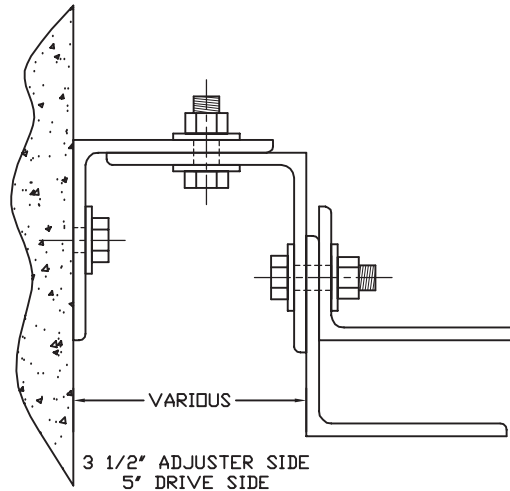
TUBE MOUNT

CODE ETU



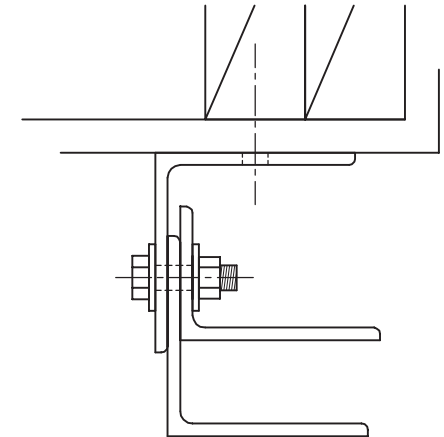
IN JAMB MOUNT

CODE IJI



BETWEEN JAMB MOUNT

CODE BMA



FACE OF WALL
E-GUIDE TO FRAMED WALL

CODE EDS

MODEL 200-225-250
GUIDE MOUNT OPTIONS

STANDARD 3" GUIDE SHOWN
REFER TO GUIDE DETAIL TEMPLATE DRAWING
FOR ALL DIMENSIONS



ADVANCED DOOR TECHNOLOGIES, INC
34 N CRYSTAL ST.
EAST STROUDSBURG, PA
(570) 421-5929
WWW.ADTDOOR.COM

