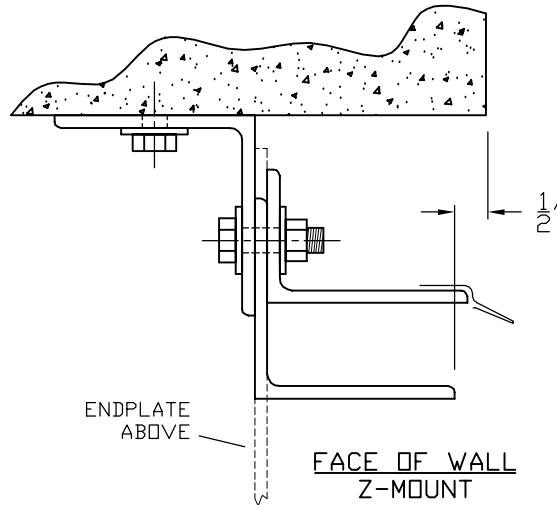
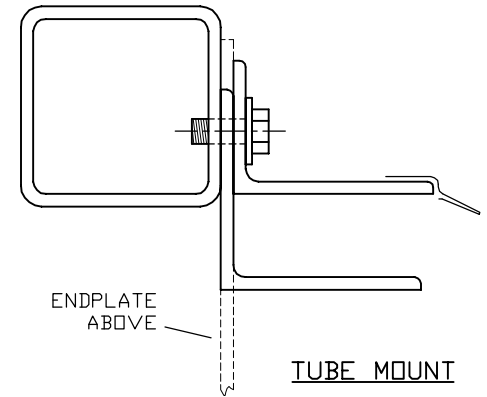


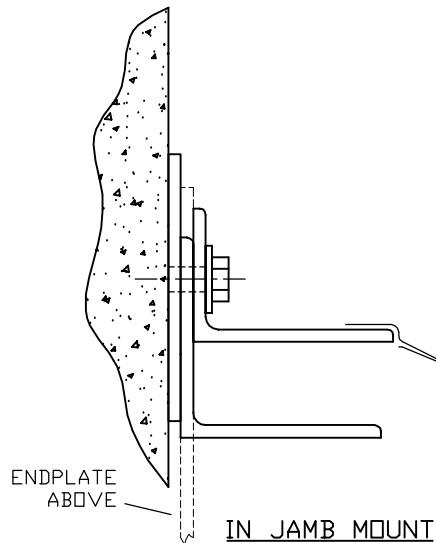
CODE EST



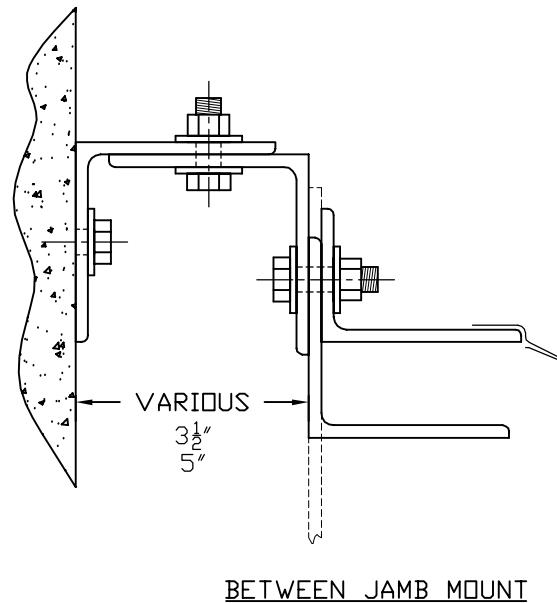
CODE ZMA



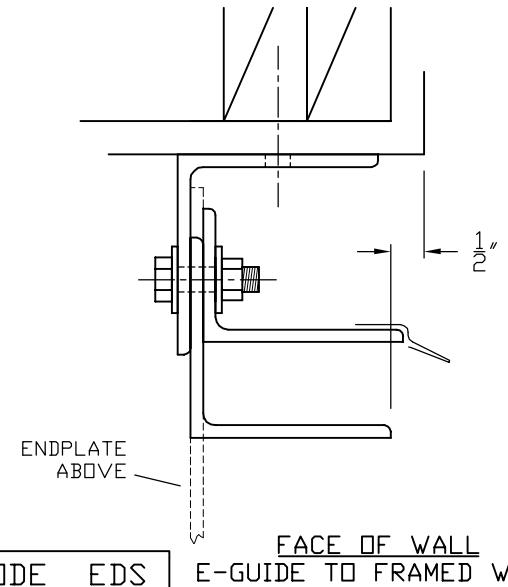
CODE ETU



CODE IJI



CODE BMA



CODE EDS

FACE OF WALL  
E-GUIDE TO FRAMED WALL

MODEL 300-325  
GUIDE MOUNT OPTIONS

STANDARD 3" GUIDE SHOWN  
REFER TO GUIDE DETAIL TEMPLATE DRAWING  
FOR ALL DIMENSIONS

SHOWN WITH  
OPTION CLIP-ON  
GUIDE SEAL



ADVANCED DOOR TECHNOLOGIES, INC  
34 N CRYSTAL ST.  
EAST STROUDSBURG, PA  
(570) 421-5929  
WWW.ADTDOOR.COM

