

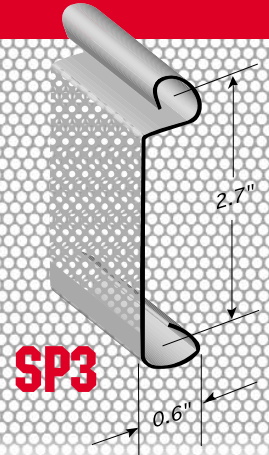


Secure View® ROLLING STEEL DOORS MODEL 325



HIGHLIGHTS

- **Heavy duty construction**
- **Torsion spring counterbalance**
- **3" steel angle guides**
- **20 gauge galvanized perforated steel curtain with iron endlocks**
- **Double steel angle bottom bar**
- **Maximum security & visibility**
- **Allows for ventilation**
- **Screens Out Insects**



SPECIFICATIONS

Furnish Rolling Security Doors, series 325 as manufactured by "ADT" complete with curtain, hood, guides, counterbalance and options as specified.

OPERATION

- manual lift
- chain hoist using gear reduction and galvanized hand chain
- internal or external industrial motors
- hand crank using gear reduction and removable hand crank

CURTAIN MODEL 325 consists of interlocking slats cold rolled formed from hot dipped galvanized steel with optional baked on grey polyester enamel coating flat profile (SP3). Each slat feature .095 diameter openings on .141" staggered centers generating 40% open air space. Which allows for ventilation and effectively screens out insects. The design affords maximum visual access without loss of security. Each end of alternate slats are to be assembled with galvanized malleable cast iron end locks to maintain slat alignment and to act as a wearing surface inside the door guides. Slats are designed to withstand windloads of 20 psf. Windlocks are furnished for greater windloads and upon request (consult factory). Slat thickness shall be calculated with U.S. gauging with a minimum of 20ga. for doors up to 22' 4" wide. Steel slats are to be hot dipped galvanized as per A.S.T.M. A653. Each curtain shall receive a bottom bar to maintain slat alignment and posture.

BOTTOM BAR shall consist of two steel factory painted angles a minimum 1/8" thick. Includes rubber astragal to form a weathertight seal, on a level surface, upon closing service door.

SPRING COUNTERBALANCE is to be housed in a steel pipe of the appropriate diameter and wall thickness as to support curtain. Deflection shall be limited to a maximum of .03" per ft. of door width. Springs are to consist of helical torsion type designed to meet a 25% safety load factor. Safety factor allows for safe operation, ease of use, and longer spring life. Springs are to be grease packed and anchored, using a cast iron anchor, to a cold rolled steel inner shaft. Spring tension shall be fully adjustable from outside of end bracket plate. To insure smooth operation end bracket plates shall contain sealed ball bearings to minimize wear of pipe shaft.

END BRACKET plates shall consist of factory painted steel plates no less than 3/16" thick. Bracket plates are to house pipe shaft and counterbalance assembly. Shaft is attached to plate by sealed ball bearings fitted onto plate.

GUIDES shall consist of factory painted structural steel angles a minimum of 3" wide and 3/16" thick. Guides will bolt together and feature a removable door stop. The guide depth shall be of a length adequate to provide for proper slat penetration and specified windloading. When windlocks are to be provided a windlock bar shall be furnished within guide to prevent curtain from leaving the guides under windload.

HOODS shall consist of a minimum of #24 gauge hot dipped galvanized steel with a baked on grey or bronze polyester enamel coating. Hoods are designed to protect and house counterbalance assembly. To prevent hood sag intermediate supports shall be furnished as required.

LOCKING for manual and chain operated doors to be slidebolts mounted on bottom bar with provisions for padlocks. Gearing within motors to be self locking.

FINISH all non-galvanized surfaces shall receive a shop coat of rust inhibiting grey or bronze industrial enamel paint. Field painting not included in this section.

INSTALLATION to be by ADT or by an authorized dealer.

OPTIONS

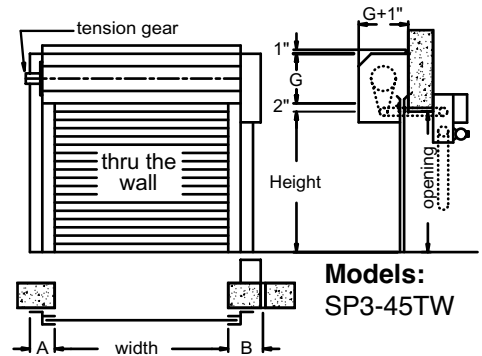
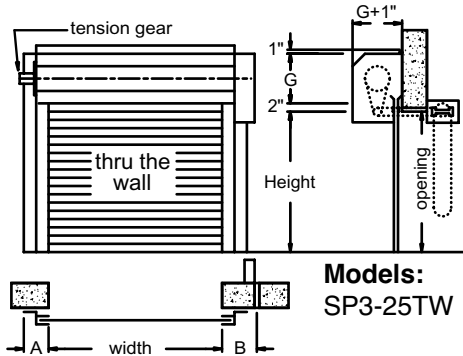
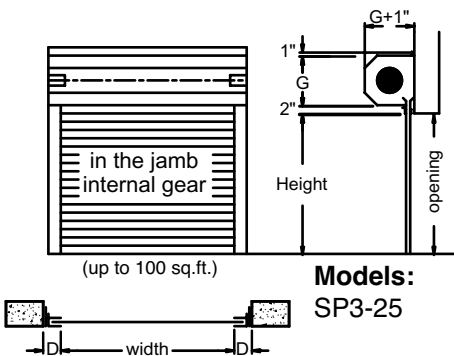
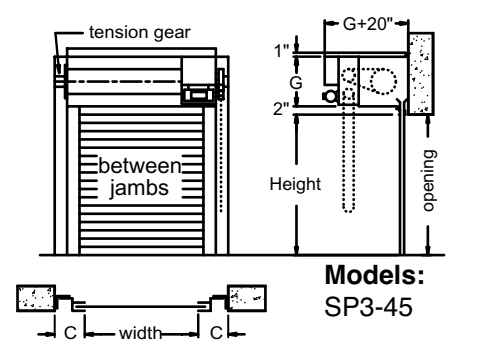
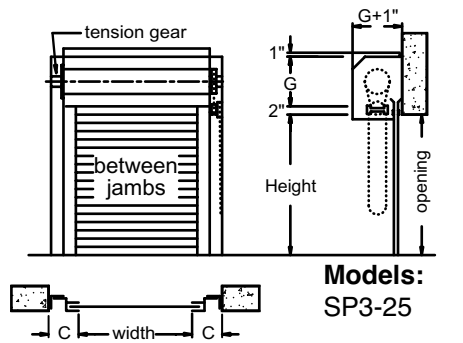
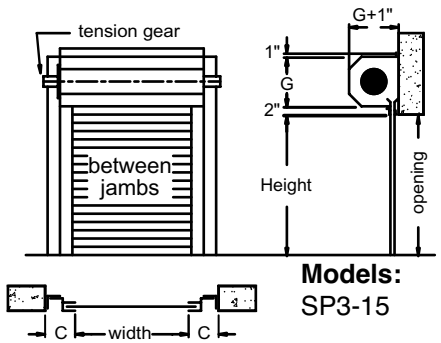
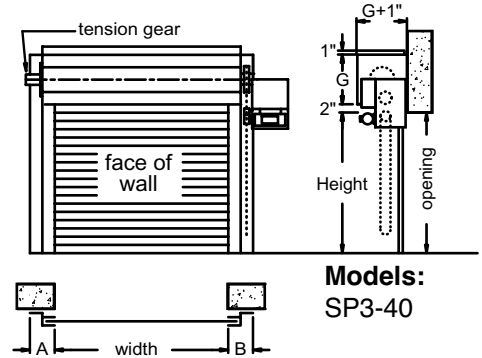
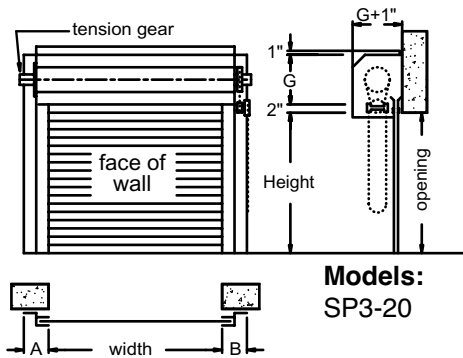
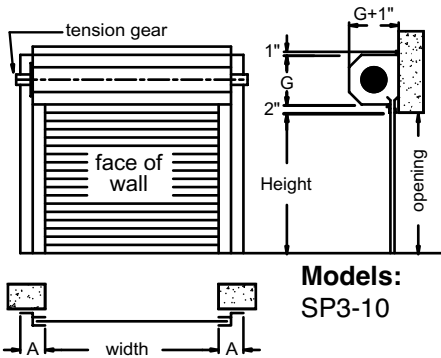
- **Poly-cote®** polyester powder coating, 200 select colors •
- Bug seal package •
- High cycle springs • Sloping bottom bar • Pass door •
- Solid Section of SF3 Slats •
- 18 gauge steel slats • Stainless Steel Slats •
- Safety edge • Remote Control • Timer to close •
- Cylinder locks • Electric interlocks •

CLEARANCE DETAILS 325 SERIES

MANUAL OPERATION

CHAIN OPERATION

MOTOR OPERATION

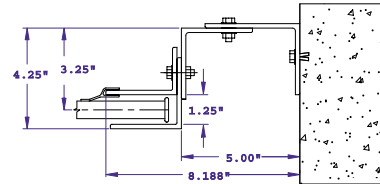
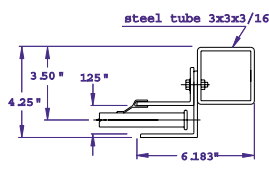
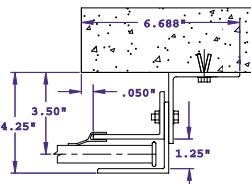
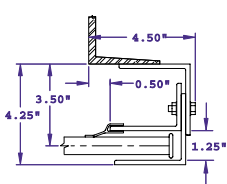


E-MOUNT

Z-MOUNT

TUBE MOUNT

BETWEEN THE JAMBS (CHAIN/MOTOR OPERATION)



3" wide guide show with optional brush seals

For fastening to steel using machine bolts or welding

For fastening to masonry using expansion bolts or through the wall threaded rod (if required.) 4" guides on spans over 22'4" or with windlocks Where clearances are critical, dimensions may be reduced. Refer inquiries to our Engineering Department.

CURTAIN FINISH

- GS** Galvanized steel
- PS** Gray Polyester enamel on galv. steel
- SS** Stainless steel

STANDARD LOCKING



HEIGHT	G	G windlocks
up to 6'6"	15"	16"
6'6" up to 10'0"	16"	17"
10'0" up to 12'0"	17"	18"
12'0" up to 14'6"	18"	19"
14'6" up to 17'0"	19"	20"
17'0" up to 19'0"	20"	21"
19'0" up to 21'0"	21"	22"
21'0" up to 23'0"	22"	23"

WIDTH	A	B	C	D
to 22'4"	6.75"	9.25"	8.25"	3.375"
22'4" to 28'4"	consult factory			
over 28'4"				

ADVANCED DOOR TECHNOLOGY
34 N. Crystal Street, East Stroudsburg PA 18301
(570) 421-5929
<http://www.adtdoor.com>