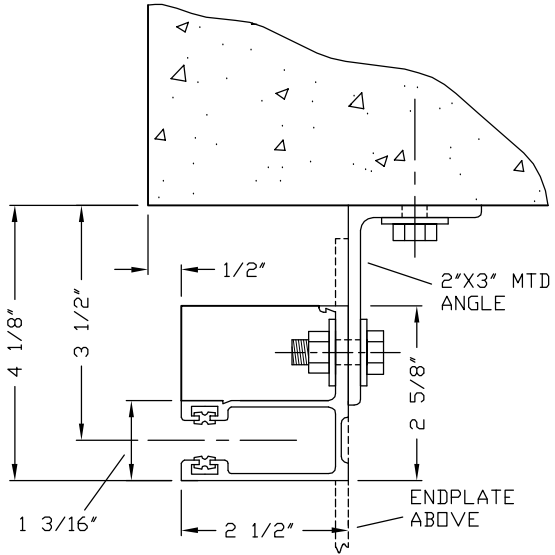
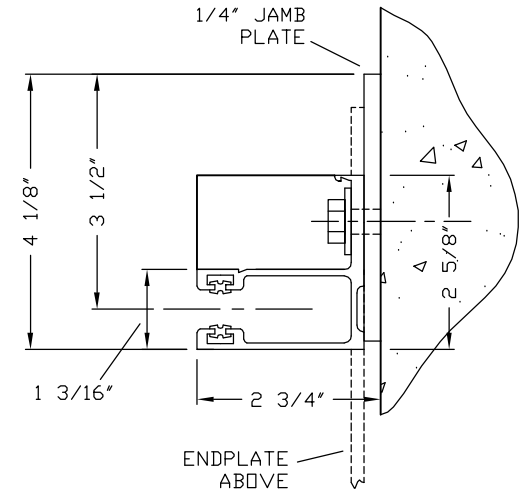


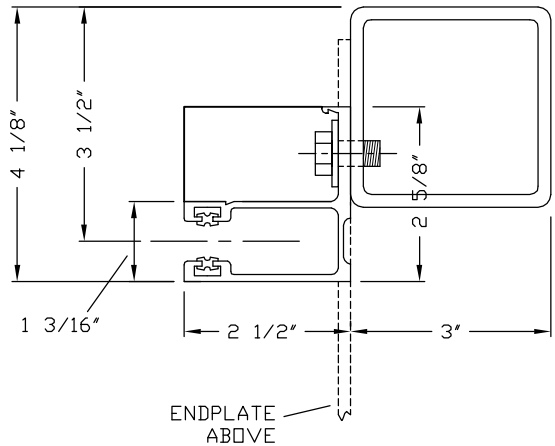
FACE OF WALL / E-MOUNT TO DRYWALL EDS



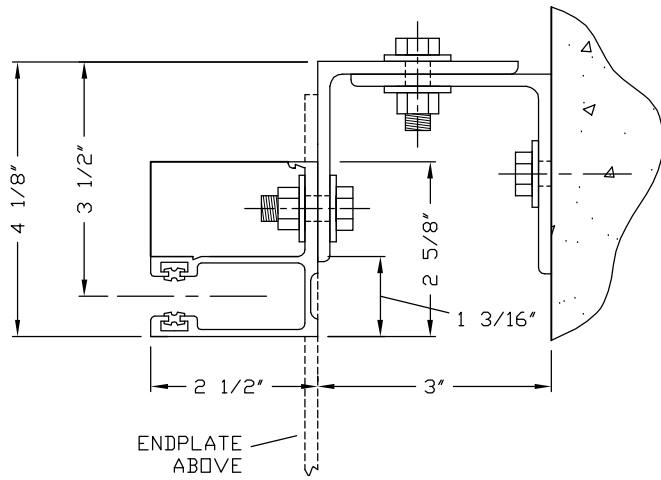
FACE OF WALL / Z-MOUNT TO MASONRY - ZMA



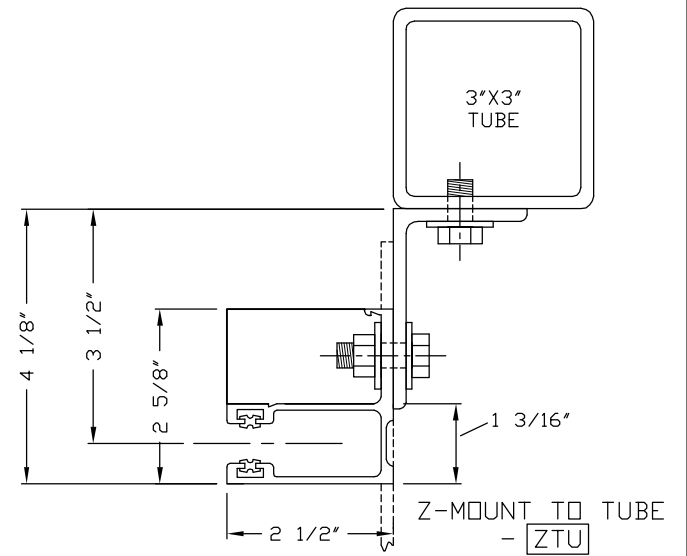
IN JAMB / TO MASONRY - IJI



TO 3" TUBE - TUB



BETWEEN JAMBS / MASONRY - BMA



MODEL 350/375 GUIDE MOUNT OPTIONS  
WITH OPTION SNAP ON TRIM



ADVANCED DOOR TECHNOLOGIES, INC  
34 N CRYSTAL ST.  
EAST STROUDSBURG, PA  
(570) 421-5929  
WWW.ADTDOOR.COM

