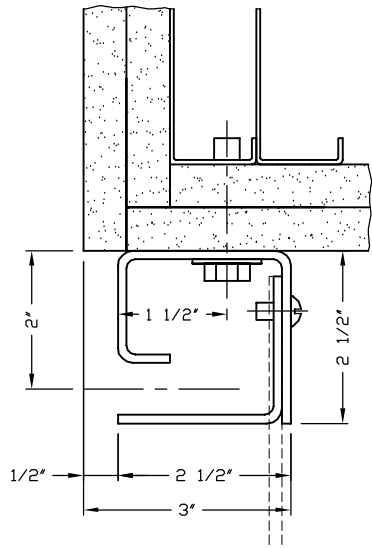
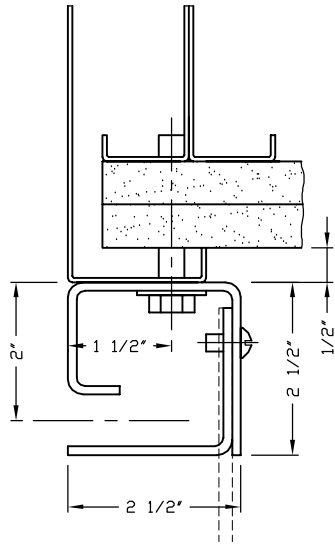


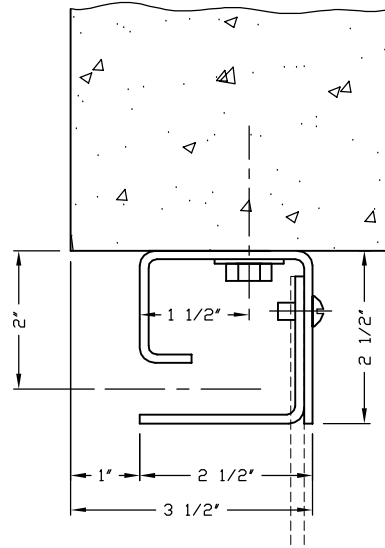
STEEL BOX GUIDES - 2 1/2" WIDE



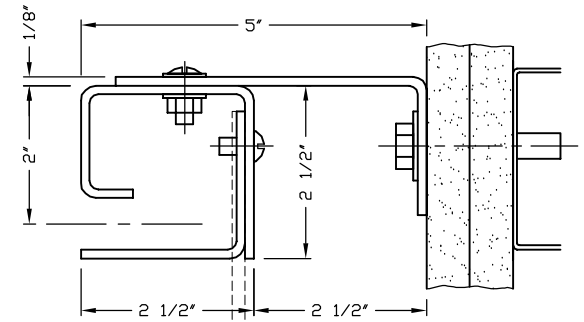
DRYWALL / METAL STUDS
SDS



DRYWALL / H.M. FRAME
SHM

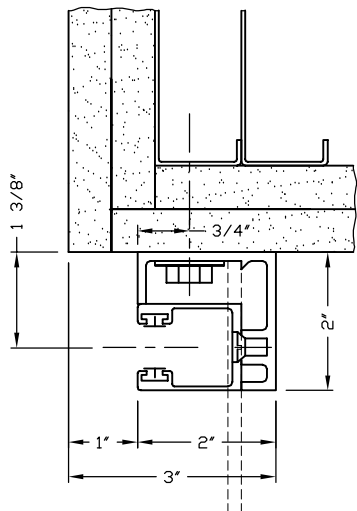


MASONRY WALL
SMA

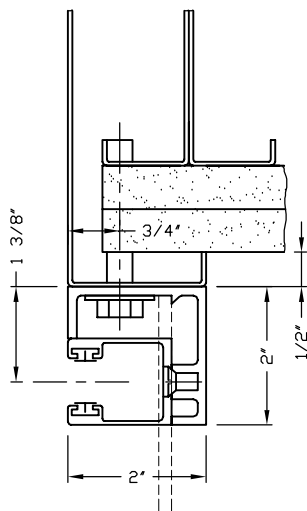


DRYWALL / STUDS / MASONRY
BETWEEN JAMBS
SBJ

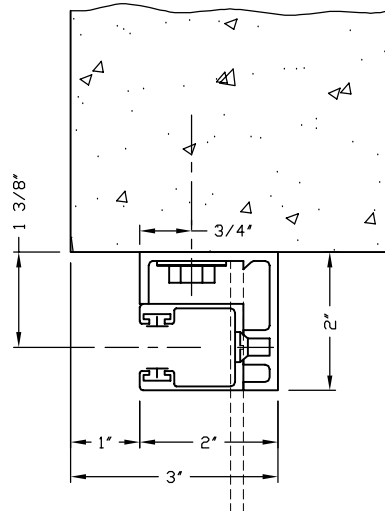
ALUMINUM GUIDES - 2" WIDE



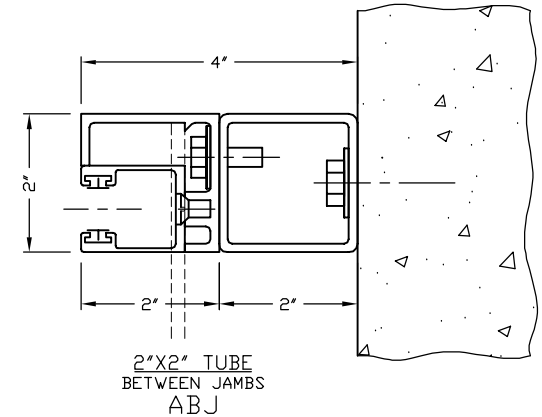
DRYWALL / METAL STUDS
ADS



DRYWALL / H.M. FRAME
AHM



MASONRY WALL
AMA



2"X2" TUBE
BETWEEN JAMBS
ABJ

MODEL 550 - GUIDE OPTIONS



ADVANCED DOOR TECHNOLOGIES, INC
34 N CRYSTAL ST.
EAST STROUDSBURG, PA
(570) 421-5929
WWW.ADTDOOR.COM



NOTE:
MINIMUM (2) STUDS 20 GAUGE REQUIRED IN DRYWALL