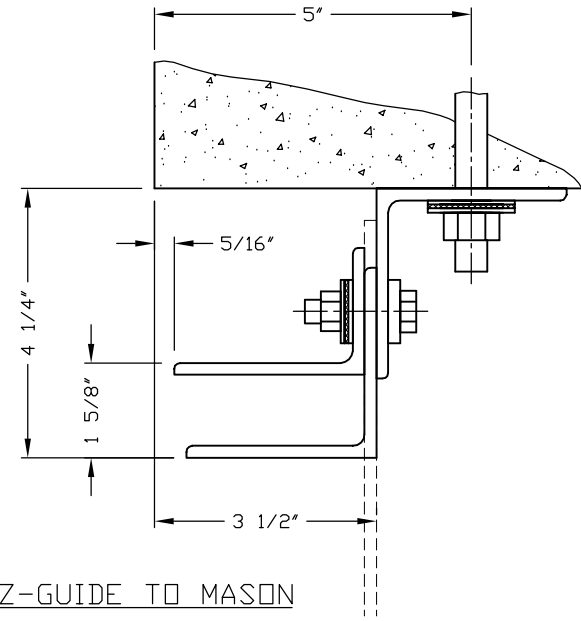
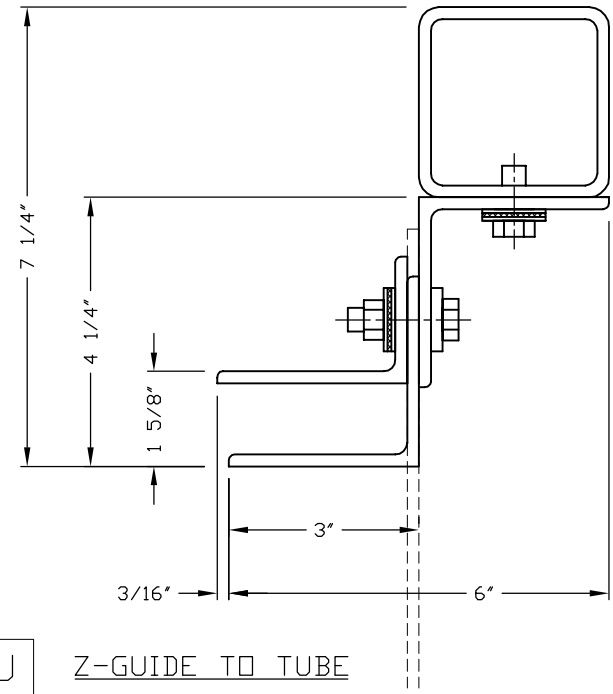


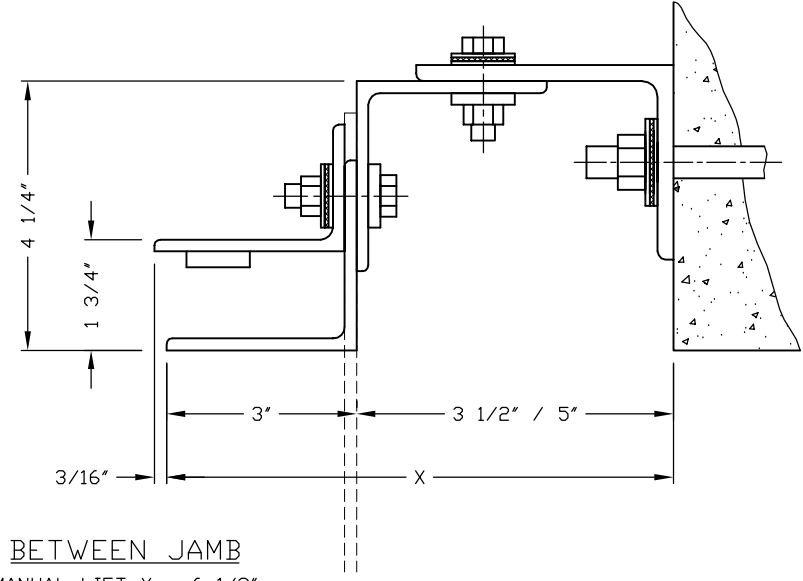
EST E-GUIDE TO STEEL



ZMA Z-GUIDE TO MASON



ZTU Z-GUIDE TO TUBE



BJ BETWEEN JAMB
 MANUAL-LIFT X = 6 1/2"
 CHAIN, CRANK, MOTOR
 ON DRIVE SIDE X = 8"

3" FIRE DOOR GUIDE MOUNT OPTIONS
 * DOORS UP TO 13'-6" WIDE



ADVANCED DOOR TECHNOLOGIES, INC
 34 N CRYSTAL ST.
 EAST STROUDSBURG, PA
 (570) 421-5929
 WWW.ADTDOOR.COM

