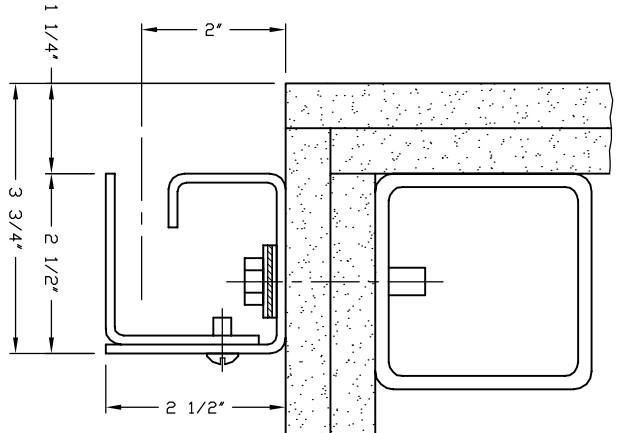
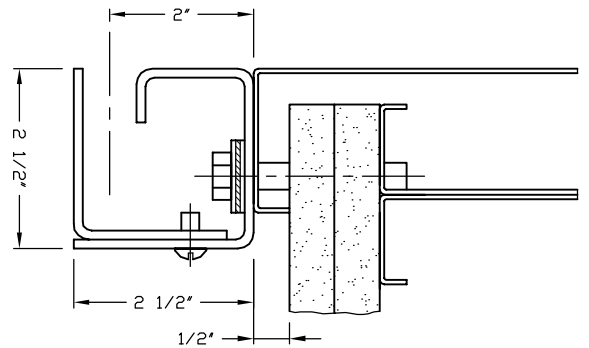


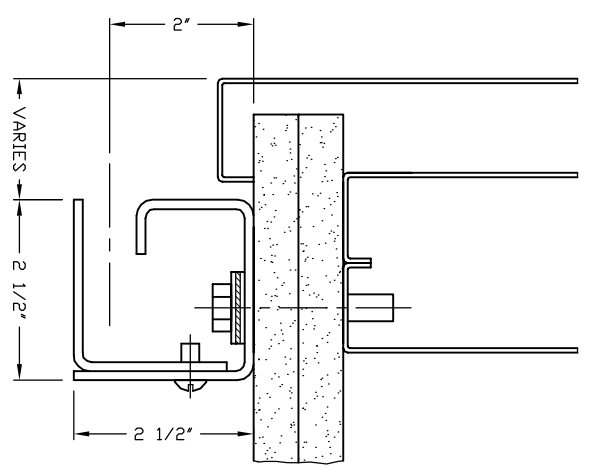
DRYWALL / METAL STUDS



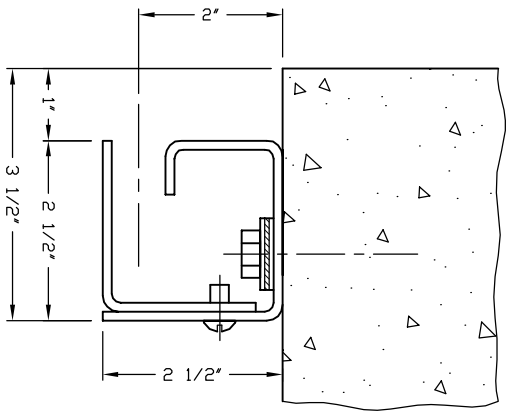
DRYWALL / TUBE IN WALL



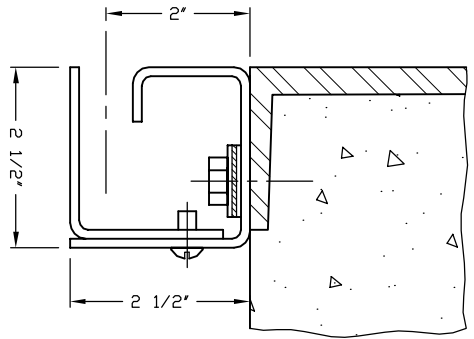
DRYWALL / H.M. FRAME
ON FRAME



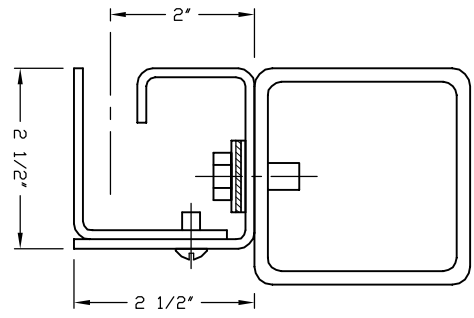
DRYWALL / H.M. FRAME
OFF FRAME



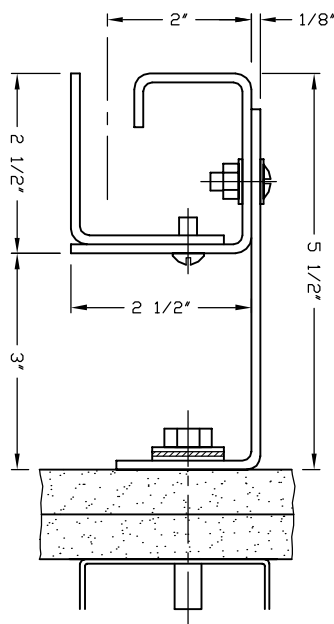
MASONRY WALL
MIN 1" SET BACK REQ'D PER
NFPA-80 BULLETIN FOR
FASTENER LOCATION



MASONRY / C-CHANNEL



DIRECT TO TUBE



DRYWALL / STUDS / MASONRY
BETWEEN JAMBS

NOTE:
2 1/2" WIDE GUIDE FOR DOORS UP TO 8'-0" WIDE
3" WIDE GUIDE FOR DOORS UP TO 13'-6" WIDE
3 1/2" WIDE GUIDE FOR DOORS UP TO 16'-0" WIDE
REQ'D ON DRYWALL MOUNTS
FLDR TO STRUCTURE ABOVE

NOTE:
2 1/2" WIDE GUIDE FOR DOORS UP TO 8'-0" WIDE
3" WIDE GUIDE FOR DOORS UP TO 13'-6" WIDE
3 1/2" WIDE GUIDE FOR DOORS UP TO 16'-0" WIDE
GUIDE PROJECTION INCREASES TO 3" ON 3 1/2" GUIDE

2 1/2" BOX GUIDE ASSEMBLIES
UL, FIRE RATED

ADT
ADVANCED DOOR TECHNOLOGIES, INC
34 N CRYSTAL ST.
EAST STRONDSBURG, PA
(570) 421-5929
WWW.ADTDOOR.COM

