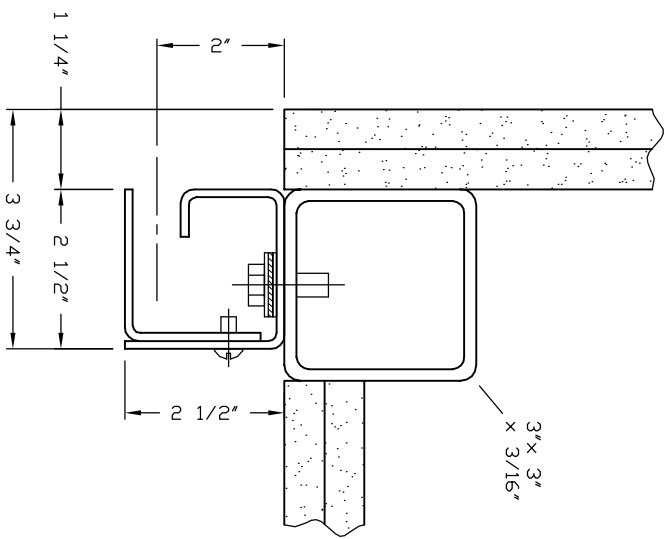
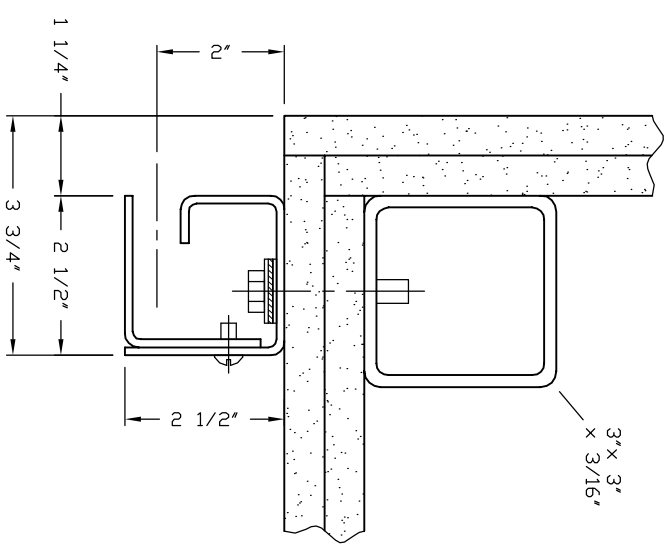


DETAIL A  
TUBE EXPOSED



DETAIL B  
TUBE EXPOSED AT FACE  
OF DRYWALL



DETAIL C  
TUBE CONCEALED IN  
DRYWALL

NOTE:  
 2 1/2" WIDE GUIDE FOR DOORS UP TO 8'-0" WIDE  
 3" WIDE GUIDE FOR DOORS UP TO 13'-6" WIDE  
 3 1/2" WIDE GUIDE FOR DOORS UP TO 16'-0" WIDE  
 GUIDE PROJECTION INCREASES TO 3" ON 3 1/2" GUIDE

**ADT**  
ADVANCED DOOR TECHNOLOGIES, INC.

FIRE COUNTER SHUTTER  
2 1/2" BOX GUIDE - TUBE MOUNTS

34 N CRYSTAL ST.  
EAST STROUDSBURG, PA  
(570) 421-5929  
WWW.ADTDOOR.COM

